

Indicating Surge Arrester

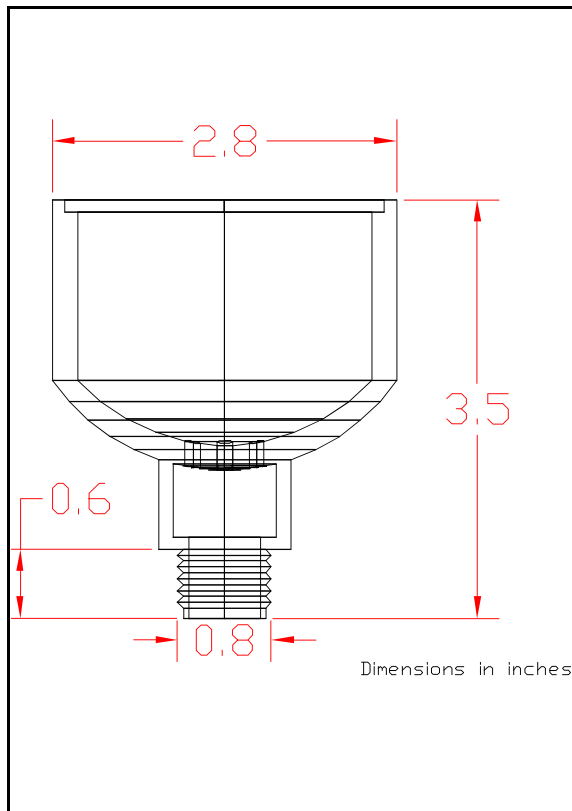
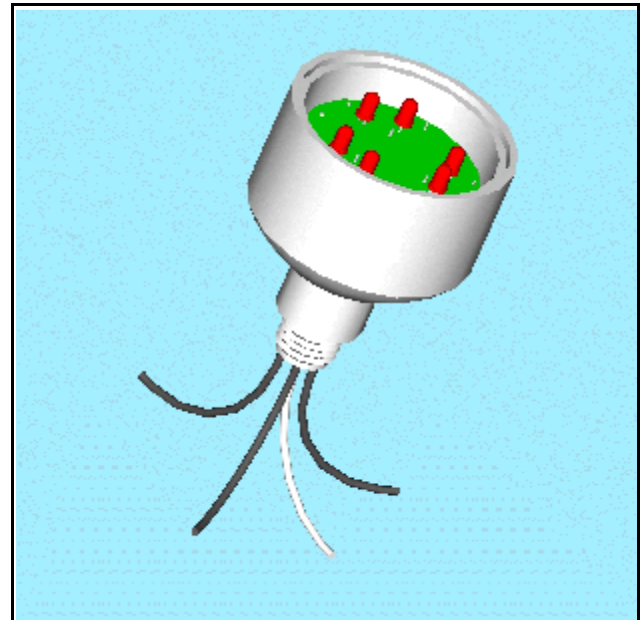
Each pole has a dual LED indicator visible through the transparent cover. Each arrester is enclosed in a permanently sealed, weatherproof PVC housing with acrylic window.

The LED indicators provide immediate confirmation of correct installation connections and the status of the external line and fuses.

APPLICATIONS

The arrester provides surge protection for circuits rated at 120, 240 or 480 V_{RMS} line-to-line or line-to-ground.

The arrester may be mounted in a ½ inch conduit knockout hole. A bracket is available for pole, cross arm or wall mounting.



SPECIFICATIONS

Temperature	-40 ^o C to +80 ^o C
Humidity	95%, non-condensing
Frequency	47 - 63 Hz
Allowable Voltage	680 V _{RMS} max
Clamping Voltage	1815 V max
Peak Current	7500 A max/pole
Clamping Energy	620 Joule max/pole

Model	Poles	Leads	Rating	Application
ISA4-1	1	2 Black	480	Single Phase
ISA4-2	2	2 Black 1 White	480	Single Phase 3-Wire
ISA4-3D	3	3 Black	480	3-Wire Delta
ISA4-3G	3	3 Black 1 White	480	3-Wire Grounded

Install with appropriate fusing using accepted safety procedures.

- P For Indoor or Outdoor installation.
- P Fitting is threaded ½ inch pipe nipple.
- P Leads are 14 AWG, 24 inches long.
- P Pole/wall mounting bracket available.
- P Assembled in USA.

